

IN LINE COUPLING BODY (WITH VALVE)Part #: **VCMD1704**

Connection Type: Hose Barb

Material: Brass

Material Finish: Chrome Plated

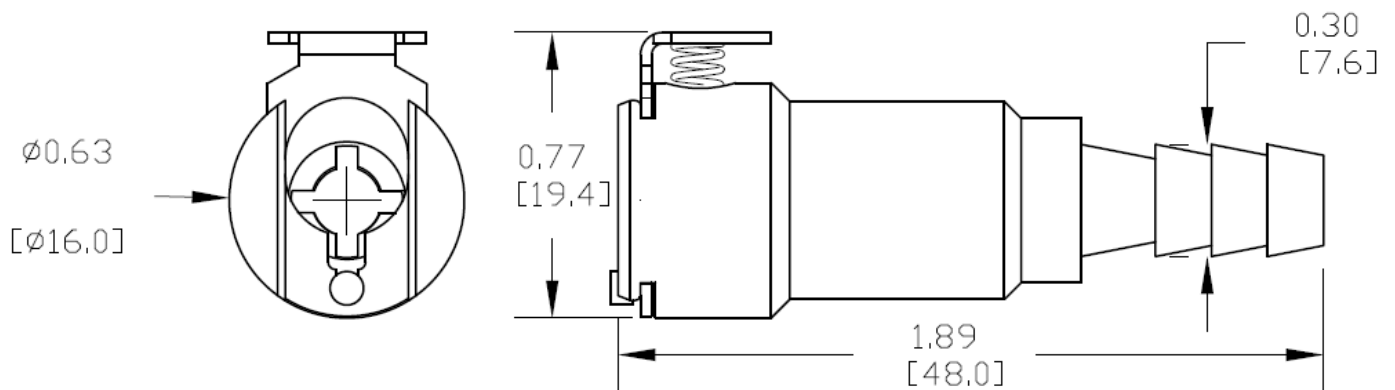
Pressure Range: Vacuum to 250 psi, 17.3 bar

Temp. Range: -40°F to 180°F (-40°C to 82°C)

Mounting Option: In Line Hose Barb

Size: 1/4" ID (6.4mm ID)

Valve Option: With Shut Off Valve

**Components:**

Main Body: Chrome Plated Brass

Valve: Natural Acetal

Thumb Latch: Stainless Steel

Valve Spring: Stainless Steel

External Spring: Stainless Steel

Seal: Nitrile